

RWS Waterproof Weight Indicator

General Specifications

- | | |
|--------------------------------|--|
| • Display | 22mm digit LCD display, with white LED backlight |
| • Keyboard | 6 keys (Mechanical switch) |
| • Housing | Stainless steel |
| • Max. Divisions | 6,000e; 30,000d |
| • Load cell excitation voltage | 5V/150mA |
| • ADC update | ≤1/10 second |
| • Operating Temp. | -10°C~+40°C |
| • Power | AC adapter (12V/500mA), Ni-MH batteries (1.2V/2000mAh x 6) |
| • Gross weight | 1.5kg |
| • Packing | Master carton holds 6, dimension 0.04m ³ |



IP65

- IP65 waterproof housing design
- Stainless steel housing
- Applications: 1. Tare 2. Weighing unit conversion 3. Auto power off
4. Peak hold (non OIML version only) 5. Animal weighing
- OIML approval from DELTA (approval no.DK0199.284)
Rechargeable battery provides up to 40 hours of continuous use
- (without backlight)
Optional RS-232 to connect to a mini printer, label printer or computer



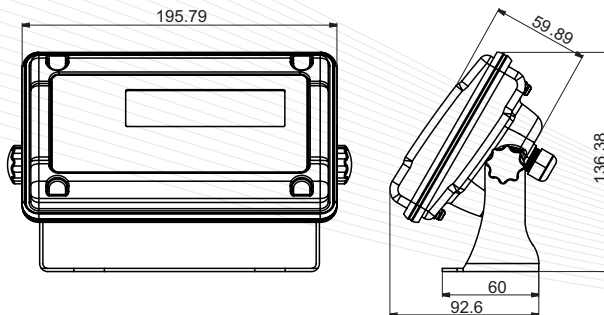
RWS Waterproof Weight Indicator

Model Name	Capacity	Readability	Division	Approx. weight	Approval
RWS	X	X	30,000d	1.5kg	CE
RWS-M	X	X	6,000e	1.5kg	CE, OIML

Options



Dimensions(mm)



Print formats

